

Tessy V2.9 Features

Please note: The version number V2.7 and V2.8 were never used.

1 Temporal Component Testing / Integration Testing

Component testing will allow testing interacting units. Component testing is integration testing for the units in the component.

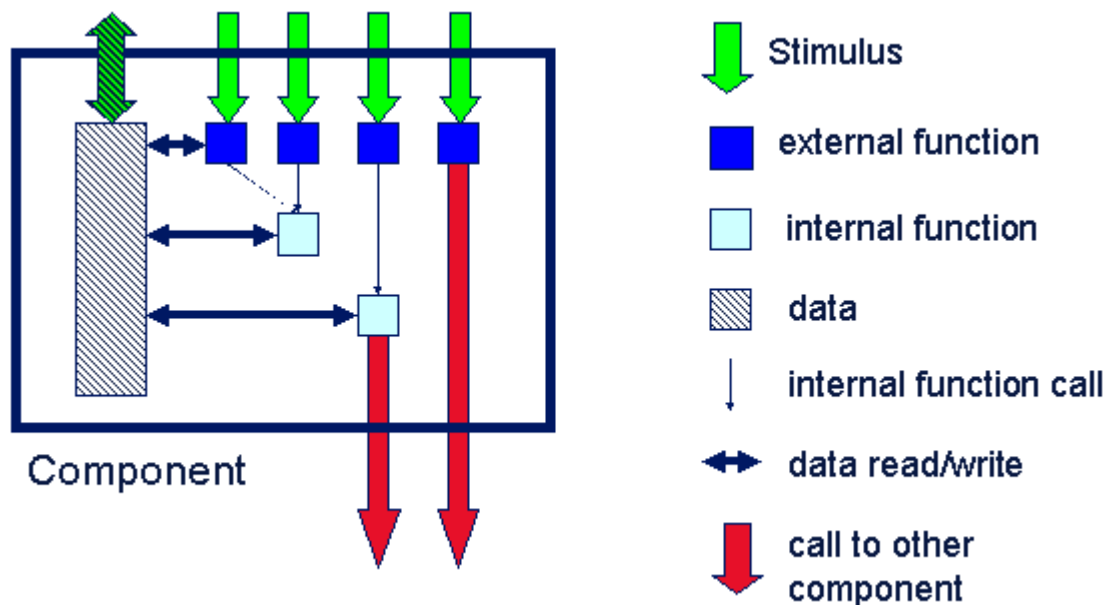


Fig. 1 Scheme of a component

A test case for a component is called “scenario”. It consists of a sequence of stimulating calls to the component, intermixed with resulting calls from the component under test to other components. Also the data of the component that is accessible from outside the component can be set in a scenario resp. evaluated for the test result in a scenario.

Also a scenario allows specifying the temporal behavior of the component.

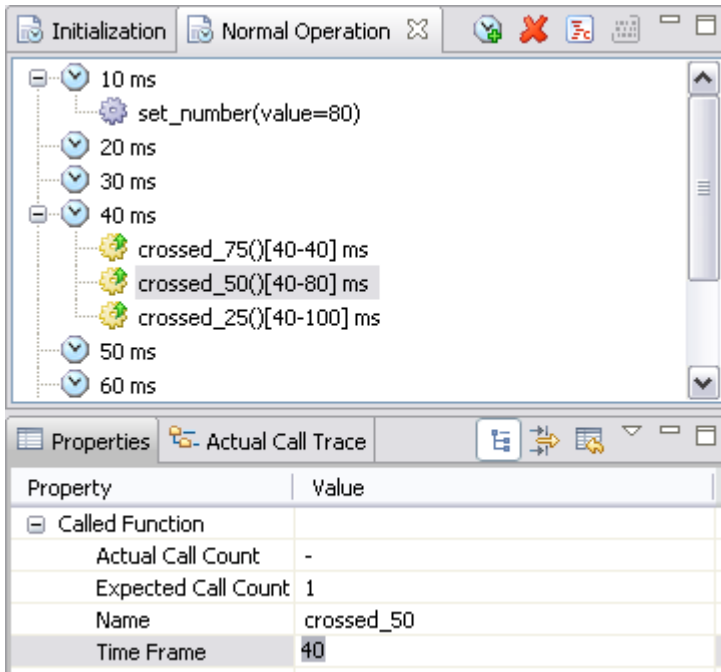


Fig. 2 Temporal behavior can be specified

Testcase 2 : Normal Operation

Teststep 2.1					
Name Input Value					
number	0				
Name Actual Value Eval Expected Value Result					
number	0	==	0	✓	

Call Trace					
Actual Function	Count	Expected Function	Count	Result	
set_number [10 ms]	1	set_number [10 ms]	1	✓	
crossed_75 [40 ms]	1	crossed_75 [40 ms]	1	✓	
crossed_50 [60 ms]	1	crossed_50 [40-80 ms]	1	✓	
crossed_25 [70 ms]	1	crossed_25 [40-100 ms]	1	✓	

Fig. 3 Actual function calls are evaluated against expected time frames

2 Accelerated Interface Analysis

An improvement of the internal interface database results in higher speed of the interface analysis and faster access to the interface information.

3 Optimized Test Database

The internal database for test data has been redesigned for optimized performance.